



## Hydraulic Seals



**TRIDENT PRECISION INTERNATIONAL**

**151, SECTOR-06, IMT MANESAR, GURGAON, HARYANA**

**122050**

 0124-4101151



[WWW.TRIDENTPRECISION.IN](http://WWW.TRIDENTPRECISION.IN)



[sales@tridentprecision.in](mailto:sales@tridentprecision.in)



The profile OK piston sealing set is primarily designed for heavy-duty hydraulic applications and is preferably used in double-acting cylinders. It is extremely robust and withstands even extreme pressure peaks.

The sealing set consists of a plastic slide ring and an elastomer energizer.

- Extreme wear resistance.
- Easy installation on single-part piston without assembly aids due to the split design of the sealing ring.
- Assembly on one-part piston is possible.
- Insensitive to extreme pressure peaks.
- Extremely high extrusion resistance.
- High extrusion resistance in case of high pressures and large gaps due to the special compound properties of the seal ring.
- Dimensions according to ISO 7425-1.
- Short axial assembly length.
- Installation in closed and undercut housings.
- Additional sizes of machined products available on short notice.

## Range of application

Operating pressure	≤ 800 bar
Operating temperature	-30 °C to +110 °C
Sliding speed	≤ 1 m/s

## Compounds

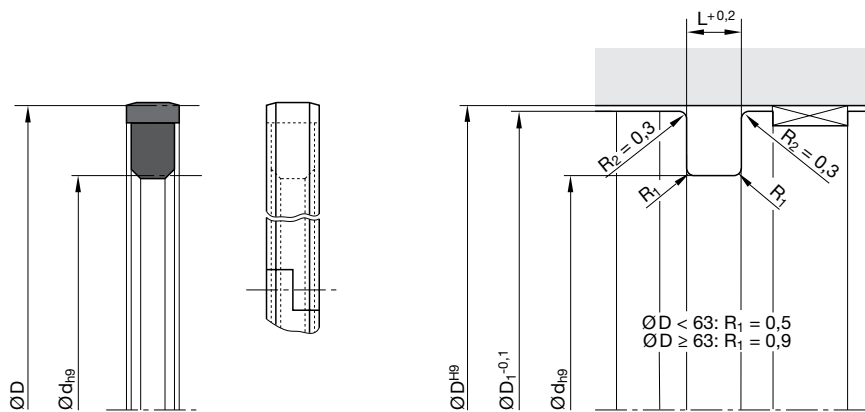
Sealing ring: filled modified thermoplast (W5019).

Expander ring: NBR-based elastomer with approx. 70 Shore A (N3571).

## Installation

The installation groove must be carefully deburred and cleaned. The cylinder bore must have a leading edge chamfer. Profile OK can be snapped into closed grooves.

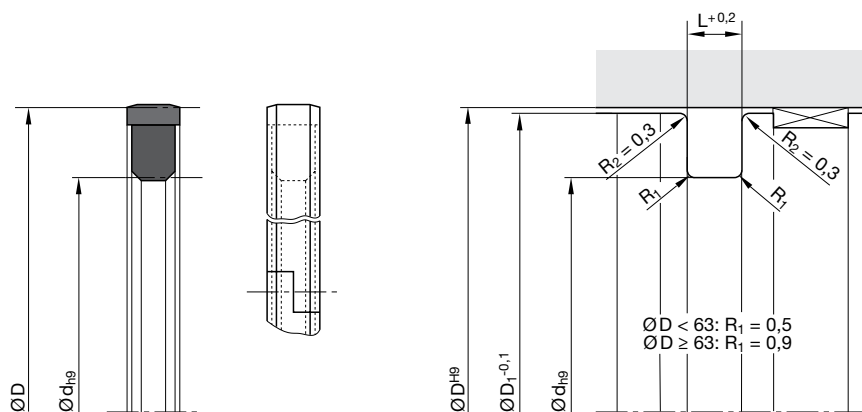
In case of special operating conditions (specific pressure loads, temperature, speed, use in water, HFA, HFB fluids etc.), please contact our consultancy service for a selection of the material and design best suiting your particular application requirements.



For surface finish, lead in chamfer and other installation dimensions see „General installation guidelines“.

D	d	L	D <sub>1</sub>	ISO <sup>1)</sup>	Order code	D	d	L	D <sub>1</sub>	ISO <sup>1)</sup>	Order code
25	16	4.2	24.3		OK 0025 00704	125	109.5	6.3	124		OK 0124 00701
32	21	4.2	31.3		OK 0032 00704	130	109	8	128.8		OK 0130 00701
40	26.3	5.8	39.2		OK 0040 00701	130	115	8	128.8		OK 0132 00701
40	29	4.2	39.3		OK 0040 00704	135	114	8	133.8		OK 1135 00701
50	34.5	6.3	49		OK 0049 00701	135	119.5	6.3	134		OK 0135 00704
50	36.3	5.8	49.2		OK 0050 00701	140	119	8	138.8		OK 0140 00701
50	37	8	49.2		OK 0051 00704	140	125	8	138.8		OK 0141 00701
50	39	4.2	49.3		OK 0050 00704	145	124	8	143.8		OK 0145 00701
55	44	4.2	54.3		OK 0054 00704	150	129	8	148.8		OK 0150 00701
60	41.7	7	59.2		OK 0061 00704	150	135	8	148.8		OK 0151 00701
60	49	4.2	59.3		OK 0060 00704	152.4	131.5	8	151.2		OK 0152 00701
63	44.7	7	62.2		OK 0063 00701	160	139	8	158.8		OK 0160 00701
63	47.5	6.3	62		OK 0062 00701	160	148	8	158.8		OK 0163 00701
63	52	4.2	62.2		OK 0064 00704	165	144	8	163.8		OK 0165 00701
70	51.7	7	69.2		OK 0070 00701	170	149	8	168.8		OK 0170 00701
70	54.5	6.3	69.2		OK 0072 00704	175	154	8	173.8		OK 0175 00704
70	59	4.2	69.3		OK 0070 00704	180	159	8	178.8		OK 0180 00701
75	54	8	74.2		OK 0075 00701	190	169	8	188.8		OK 0190 00701
75	59.5	6.3	74		OK 0076 00701	200	179	8	198.8		OK 0200 00701
80	59	8	79		OK 0080 00701	210	189	8	208.4		OK 0210 00701
80	64.5	6.3	79		OK 0083 00701	220	199	8	218.4		OK 0220 00701
85	64	8	84		OK 0085 00701	220	205	8	218.4		OK 0221 00701
90	69	8	89		OK 0090 00701	230	209	8	228.4		OK 0230 00704
90	74.5	6.3	89		OK 0091 00701	240	225	8	238.4		OK 0240 00701
95	74	8	94		OK 0095 00704	250	229	8	248.4		OK 0250 00701
100	79	8	99		OK 0100 00701	260	239	8	258.4		OK 0260 00704
100	84.5	6.3	99		OK 0101 00701	270	249	8	268.4		OK 0270 00701
105	84	8	103.8		OK 0105 00701	280	255.5	8	278.4		OK 0280 00701
110	89	8	108.8		OK 0110 00701	290	271	9.5	287.8		OK 0290 00701
110	94.5	6.3	109		OK 0111 00701	300	272	9.5	297.8		OK 0300 00701
115	94	8	113.8		OK 0115 00701	320	292	9.5	317.8		OK 0320 00701
115	100	8	113.8		OK 0116 00701	330	302	9.5	327.8		OK 0330 00701
120	99	8	118.8		OK 0120 00701	350	322	9.5	347.8		OK 0350 00701
125	104	8	123.8		OK 0125 00701	370	342	9.5	367.8		OK 0370 00701

1) ISO 7425-1  
Further sizes on request.



For surface finish, lead in chamfer and other installation dimensions see „General installation guidelines“.

D	d	L	D <sub>1</sub>	ISO <sup>1)</sup>	Order code
420	392	9.5	417.8		OK 0420 00701
450	422	9.5	447.8		OK 0451 00701
480	452	9.5	477.8		OK 0480 00701

1) ISO 7425-1  
Further sizes on request.