




## Hydraulic Seals



**TRIDENT PRECISION INTERNATIONAL**

**151, SECTOR-06, IMT MANESAR, GURGAON, HARYANA**

**122050**

 0124-4101151



[WWW.TRIDENTPRECISION.IN](http://WWW.TRIDENTPRECISION.IN)



[sales@tridentprecision.in](mailto:sales@tridentprecision.in)



The FR rod guide ring made of fabric phenolic resin laminate is intended for use in hydraulic cylinders. The guide ring is created in a slit form (45 ° cut) to enable installation. In addition, the slit version ensures that the system pressure can pass toward the seal, taking thermal expansions into account.

The FR guide ring is exceptionally pressure-resistant and wear-resistant. Pressure resistance is much higher than that of guiding elements made of other plastics.

After installation, the FR guide ring has an interference fit against the bottom of the groove.

- Minimal play due to extremely small manufacturing tolerances of the guiding elements.
- Vibration absorption effect.
- Extreme wear resistance.
- Improved sliding properties due to surface structure.
- Significantly higher permissible loading pressure compared with other guidance tape materials.
- Dimensions according to DIN 10766.
- Any desired nominal diameter available due to use of machining technique.
- Installation in closed and undercut housings.

## Range of application

Guiding element for rods in hydraulic cylinders.

### Operating temperature

FR Q5029	-50 °C to +120 °C
FR Q5038	-50 °C to +130 °C
in HFA, HFB and HFC fluids	-30 °C to +80 °C
in water max.	+ 100 °C

### Pressure resistance acc. to DIN 53454

FR Q5029	270 N/mm <sup>2</sup>
FR Q5038	340 N/mm <sup>2</sup>

### Water absorption acc. to DIN 53495

FR Q5029	1 % to 2 %
FR Q5038	< 0.1 %

Sliding speed ≤ 0.5 m/s

## Compounds

Duroplastic synthetic resins with fabric reinforcement.

Q5029: phenole resin-cotton laminate.

Q5038: phenole resin-acrylic fabric laminate.

## Installation

For surface requirements, see chapter „General Installation Guidelines“.

For nonferrous and light metal pistons, please use our F3 guidance tape profile (PTFE with carbon filler).

The installed rings must have a gap „k“ between their diagonally cut ends:

$$k = 0.008 \times d + 2$$

The calculated values for „k“ are rounded up to the nearest millimetre or half-millimetre.

The calculation of the permissible radial force is based on the projected area  $d \times L$ .

Example: permissible radial force  $F_R$  for a rod diameter of  $d = 80$  mm, length  $L = 15$  mm, compound Q5038T and safety factor 4:

$$F_R = \frac{d \times L \times q}{v} = \frac{80 \times 15 \times 270}{4} = 81\,000 \text{ N}$$

Recommendation for determining the safety factor  $v$ :  $v > 3$

Calculation of elongated length

“U” (rod) =  $\pi \times (d + S) \cdot k$

In case of special operating conditions (specific pressure loads, temperature, speed, use in water, HFA, HFB fluids etc.), please contact our consultancy service for a selection of the material and design best suiting your particular application requirements.

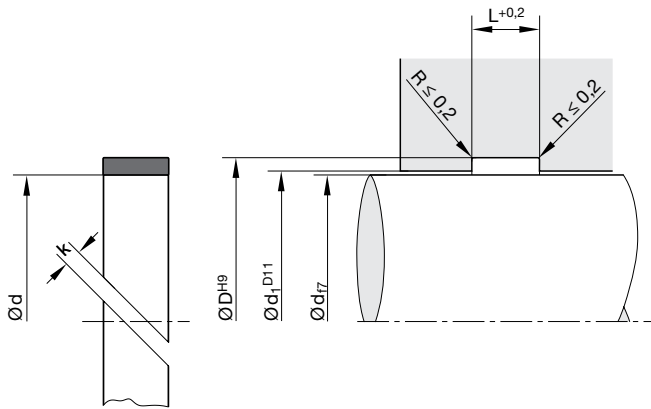


**TRIDENT PRECISION INTERNATIONAL**  
**151, SECTOR-06, IMT MANESAR, GURGAON, HARYANA**  
**122050**

 0124-4101151

 [WWW.TRIDENTPRECISION.IN](http://WWW.TRIDENTPRECISION.IN)

 [sales@tridentprecision.in](mailto:sales@tridentprecision.in)



For surface finish, lead in chamfer and other installation dimensions see „General installation guidelines“.

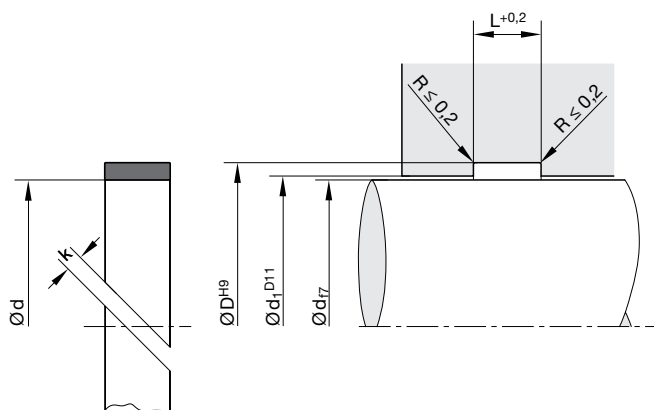
## Ordering example

Guide ring profile FR for a rod diameter of 63 mm.

Order code	FR 6370 Q5029 (63 × 68 × 9,7)
FR	Profile reference
6370	Dimension code
Q5029 or Q5038	Standard compound
d × D × L	Nominal dimensions

**TRIDENT PRECISION INTERNATIONAL**  
**151, SECTOR-06, IMT MANESAR, GURGAON, HARYANA**  
**122050**

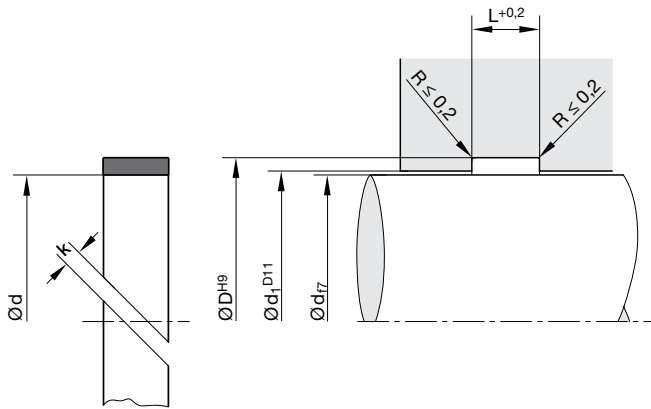




For surface finish, lead in chamfer and other installation dimensions see „General installation guidelines“.

d	D	L	d <sub>1</sub>	Order code	d	D	L	d <sub>1</sub>	Order code
11	14	2.6	11.2	FR 1114 Q5038	36	41	9.7	36.3	FR 3620 Q5038
12	15	3.6	12.2	FR 1215 Q5038	37	42	5.6	37.3	FR 3742 Q5038
12	15.1	4	12.2	FR 1216 Q5038	38	41	2.5	38.3	FR 3841 Q5038
14	17	2.5	14.2	FR 1417 Q5038	40	45	5.6	40.4	FR 4004 Q5038
15	18	2.5	15.2	FR 1518 Q5038	40	45	9.7	40.4	FR 4006 Q5038
15.5	19	3.6	15.7	FR 1519 Q5038	40	45	15	40.4	FR 4010 Q5038
18	21	2.5	18.2	FR 1823 Q5038	40	45.1	5.6	40.4	FR 4047 Q5038
18	21	6	18.2	FR 1821 Q5038	40	46	9.8	40.4	FR 4046 Q5038
20	25	4	20.2	FR 2025 Q5038	44	50	5.1	44.4	FR 4451 Q5038
20	25	5.6	20.2	FR 2005 Q5038	45	48	2.5	45.4	FR 4548 Q5038
20	25	9.7	20.2	FR 2007 Q5038	45	50	5.6	45.4	FR 4504 Q5038
20	26	5.1	20.2	FR 2008 Q5038	45	50	6.3	45.4	FR 4506 Q5038
22	25	2.5	22.2	FR 2225 Q5038	45	50	9.7	45.4	FR 4505 Q5038
22	25.1	4	22.2	FR 2224 Q5038	45	50	15	45.4	FR 4508 Q5038
22	26	5.6	22.2	FR 2226 Q5038	48	53	9.7	48.4	FR 4853 Q5029
25	30	5.6	25.2	FR 2506 Q5038	50	55	5.6	50.4	FR 5015 Q5038
25	30	9.7	25.2	FR 2507 Q5038	50	55	9.7	50.4	FR 5018 Q5038
25.4	28.5	4	25.6	FR 2528 Q5029	50	55	20	50.4	FR 5019 Q5038
27	32	5.6	27.2	FR 2702 Q5038	50.8	55.8	16	51.2	FR 5079 Q5038
28	33	5.6	28.2	FR 2823 Q5038	50.8	55.8	25	51.2	FR 5080 Q5038
28	33	9.7	28.2	FR 2833 Q5038	53	58	9.7	53.4	FR 5309 Q5038
30	33	2.5	30.2	FR 3033 Q5038	55	58	4	55.4	FR 5558 Q5038
30	35	4	30.2	FR 3002 Q5038	55	60	9.7	55.4	FR 5507 Q5038
30	35	5.6	30.2	FR 3001 Q5038	55	60	15	55.4	FR 5510 Q5038
30	35	9.7	30.2	FR 3003 Q5038	57	60	4	57.4	FR 5760 Q5038
30	36	5.1	30.2	FR 3036 Q5038	58	63	5.6	58.4	FR 5808 Q5038
32	37	5.6	32.3	FR 3205 Q5038	58	63	6.3	58.4	FR 5680 Q5038
32	37	9.7	32.3	FR 3209 Q5038	58	63	9.7	58.4	FR 5805 Q5038
34	40	5.1	34.3	FR 3440 Q5038	60	65	9.7	60.5	FR 6005 Q5038
35	40	4	35.3	FR 3505 Q5029	60	65	15	60.5	FR 6010 Q5038
35	40	5.6	35.3	FR 3506 Q5038	63	68	5.6	63.5	FR 6305 Q5029
35	40	9.7	35.3	FR 3507 Q5038	63	68	9.7	63.5	FR 6370 Q5038
35	45	15	35.3	FR 3528 Q5038	63	68	15	63.5	FR 6315 Q5038
36	41	5.6	36.3	FR 3618 Q5038	65	70	5.6	65.5	FR 6501 Q5029

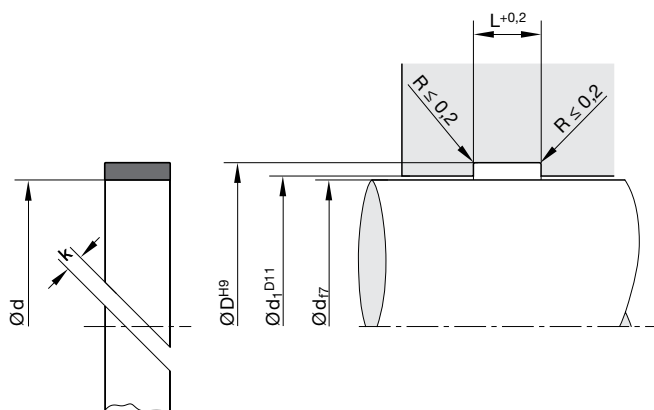
Further sizes on request.



For surface finish, lead in chamfer and other installation dimensions see „General installation guidelines“.

d	D	L	d <sub>1</sub>	Order code	d	D	L	d <sub>1</sub>	Order code
65	70	9.7	65.5	FR 6503 Q5038	105	110	15	105.6	FR A511 Q5038
65	70	15	65.5	FR 6506 Q5038	105	110	20	105.6	FR A520 Q5038
70	75	6.3	70.5	FR 7000 Q5038	105	110	25	105.6	FR A510 Q5029
70	75	9.7	70.5	FR 7005 Q5038	110	115	9.7	110.6	FR B008 Q5038
70	75	15	70.5	FR 7004 Q5038	110	115	15	110.6	FR B009 Q5038
75	80	5.6	75.5	FR 7503 Q5038	110	115	25	110.6	FR B011 Q5038
75	80	6.3	75.5	FR 7504 Q5038	110	120	15	110.6	FR B007 Q5038
75	80	9.7	75.5	FR 7506 Q5038	110	125	25	110.6	FR B025 Q5038
75	80	15	75.5	FR 7505 Q5038	114	120	10	114.6	FR B040 Q5038
80	84	15	80.5	FR 8009 Q5038	115	120	15	115.6	FR B053 Q5038
80	85	5.6	80.5	FR 8085 Q5038	115	120	25	115.6	FR B525 Q5038
80	85	9.7	80.5	FR 8010 Q5038	120	125	9.7	120.6	FR C051 Q5038
80	85	15	80.5	FR 8012 Q5038	120	125	15	120.6	FR C052 Q5038
80	85	25	80.5	FR 8014 Q5029	120	125	25	120.6	FR C026 Q5038
83	88	9.7	83.5	FR 8388 Q5038	125	130	9.7	125.6	FR C053 Q5038
85	90	9.7	85.5	FR 8509 Q5038	125	130	15	125.6	FR C055 Q5038
85	90	15	85.5	FR 8515 Q5038	125	130	25	125.6	FR C030 Q5038
85	90	25	85.5	FR 8525 Q5038	126	130	15	126.6	FR C130 Q5038
85	95	25	85.5	FR 8510 Q5038	130	135	15	130.6	FR D005 Q5038
86	90	10	86.5	FR 8690 Q5038	135	140	9.7	135.6	FR D050 Q5038
90	95	9.7	90.5	FR 9094 Q5038	135	140	15	135.6	FR D051 Q5038
90	95	15	90.5	FR 9095 Q5038	135	140	25	135.6	FR D052 Q5038
90	95	20	90.5	FR 9020 Q5038	136	140	15	136.6	FR D140 Q5038
90	95	25	90.5	FR 9025 Q5038	140	145	9.7	140.7	FR E031 Q5029
90	95	30	90.5	FR 9030 Q5038	140	145	15	140.7	FR E038 Q5038
90	100	15	90.5	FR 9010 Q5038	140	145	25	140.7	FR E032 Q5038
95	100	9.7	95.6	FR 9510 Q5038	145	150	9.7	145.7	FR E047 Q5029
95	100	15	95.6	FR 9511 Q5038	145	150	15	145.7	FR E050 Q5029
100	105	5.6	100.6	FR A003 Q5038	150	155	9.7	150.7	FR F009 Q5038
100	105	9.7	100.6	FR A004 Q5038	150	155	25	150.7	FR F015 Q5038
100	105	15	100.6	FR A005 Q5038	155	160	9.7	155.7	FR F051 Q5038
100	105	20	100.6	FR A006 Q5038	155	160	15	155.7	FR F052 Q5038
100	105	25	100.6	FR A025 Q5038	160	165	9.7	160.7	FR G008 Q5038
100	110	25	100.6	FR A027 Q5038	160	165	25	160.7	FR G025 Q5038

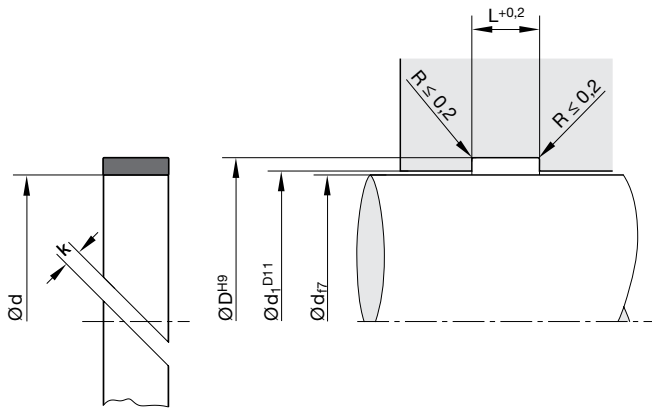
Further sizes on request.



For surface finish, lead in chamfer and other installation dimensions see „General installation guidelines“.

d	D	L	d <sub>1</sub>	Order code	d	D	L	d <sub>1</sub>	Order code
165	170	9.7	165.7	FR G565 Q5029	245	250	15	245.7	FR N042 Q5038
165	170	15	165.7	FR G570 Q5038	245	250	25	245.7	FR N045 Q5038
170	175	9.7	170.7	FR H024 Q5038	250	255	15	250.7	FR N520 Q5038
170	175	15	170.7	FR H015 Q5038	250	255	25	250.7	FR N525 Q5038
170	175	25	170.7	FR H025 Q5038	260	265	15	260.7	FR O008 Q5038
175	180	9.7	175.7	FR H050 Q5029	260	265	25	260.7	FR O010 Q5029
175	180	15	175.7	FR H051 Q5029	260	266	30	260.7	FR O011 Q5038
175	180	25	175.7	FR H053 Q5029	265	270	15	265.7	FR O515 Q5038
176	181	38	176.7	FR H062 Q5038	265	270	25	265.7	FR O520 Q5038
180	185	15	180.7	FR J019 Q5038	270	275	25	270.7	FR O706 Q5038
180	185	25	180.7	FR J020 Q5038	275	280	15	275.8	FR O715 Q5029
180	185	38	180.7	FR J021 Q5038	275	280	20	275.8	FR O720 Q5038
185	190	25	185.7	FR J525 Q5038	275	280	25	275.8	FR O725 Q5038
186	190	15	186.7	FR J060 Q5038	280	270	23	280.8	FR P023 Q5038
190	195	15	190.7	FR K012 Q5038	280	285	15	280.8	FR P015 Q5038
195	200	9.7	195.7	FR K049 Q5038	280	290	25	280.8	FR P025 Q5038
195	200	15	195.7	FR K052 Q5038	295	300	15	295.8	FR P551 Q5029
195	200	25	195.7	FR K051 Q5038	300	305	25	301	FR Q005 Q5038
200	205	15	200.7	FR L004 Q5038	305	310	15	306	FR Q002 Q5038
200	205	25	200.7	FR L025 Q5038	310	315	25	311	FR Q010 Q5029
202	210	25	205.7	FR L050 Q5038	314	320	30	315	FR Q011 Q5038
205	210	25	205.7	FR L065 Q5038	315	320	15	316	FR Q014 Q5029
205	210	25	205.7	FR L075 Q5038	315	320	25	316	FR Q015 Q5029
210	215	25	210.7	FR L509 Q5038	320	325	15	321	FR Q215 Q5038
215	220	15	215.7	FR L520 Q5038	320	325	25	321	FR Q217 Q5038
215	220	20	215.7	FR L524 Q5029	325	330	20	326	FR Q230 Q5038
215	220	25	215.7	FR L525 Q5038	325	330	25	326	FR Q233 Q5038
220	225	9.7	220.7	FR M004 Q5038	335	340	15	336	FR Q334 Q5038
220	225	15	220.7	FR M005 Q5038	345	350	25	346	FR Q425 Q5038
222	227	15	222.7	FR M070 Q5038	350	355	15	351	FR Q050 Q5038
230	235	25	230.7	FR M525 Q5038	350	355	15	351	FR Q515 Q5038
235	240	9.7	235.7	FR M554 Q5038	350	355	25	351	FR Q051 Q5038
235	240	25	235.7	FR M560 Q5038	350	360	25	351	FR Q060 Q5038
235	250	25	235.7	FR M600 Q5038	355	360	20	356	FR Q552 Q5029

Further sizes on request.



For surface finish, lead in chamfer and other installation dimensions see „General installation guidelines“.

d	D	L	d <sub>1</sub>	Order code
355	360	40	356	FR Q555 Q5038
375	380	15	376	FR Q715 Q5038
375	380	25	376	FR Q725 Q5038
390	395	25	391	FR Q900 Q5038
440	445	15	441	FR R024 Q5038
445	450	25	446	FR R025 Q5038
460	465	9.5	461	FR R465 Q5038
465	470	15	466	FR R615 Q5038
495	500	15	496	FR R915 Q5038
575	580	25	576	FR S075 Q5038
600	605	25	601	FR S610 Q5038



**TRIDENT PRECISION INTERNATIONAL**  
**151, SECTOR-06, IMT MANESAR, GURGAON, HARYANA**  
**122050**