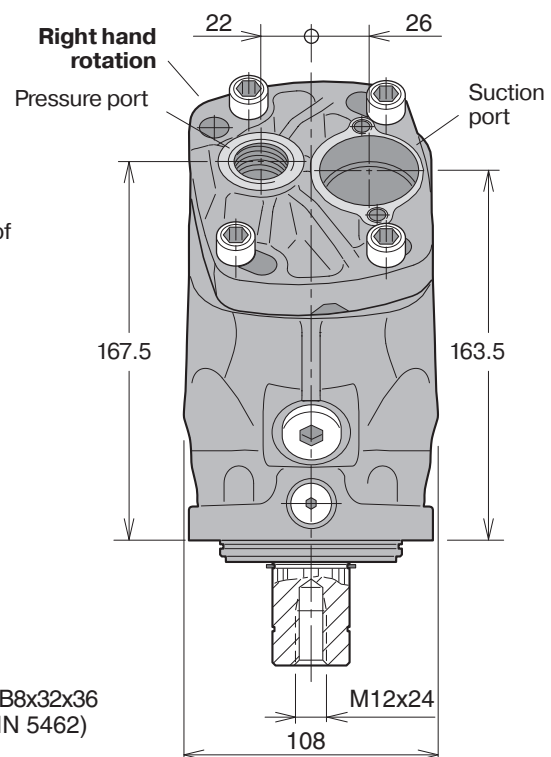
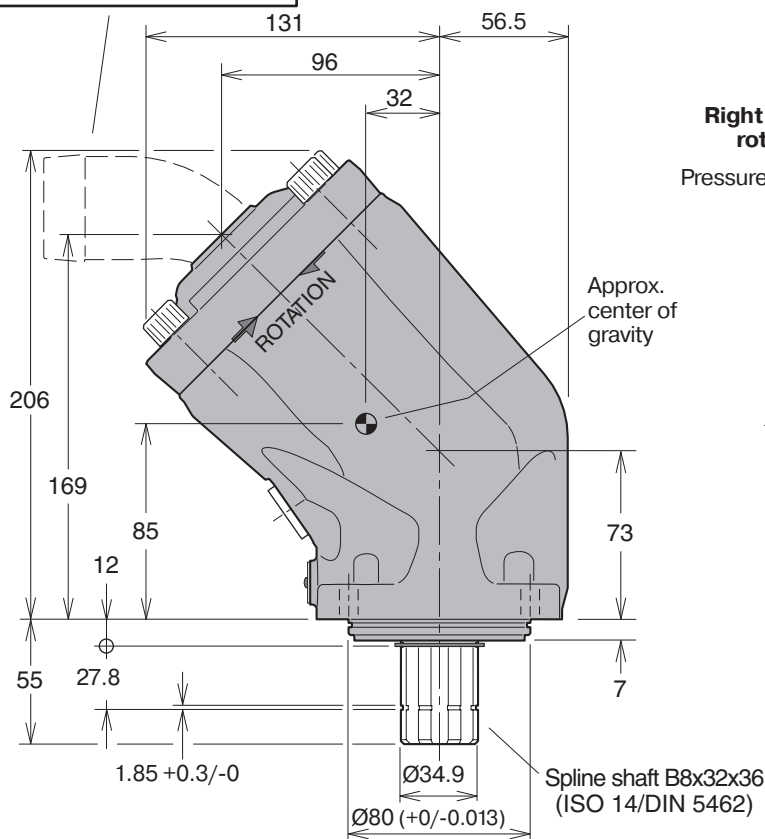
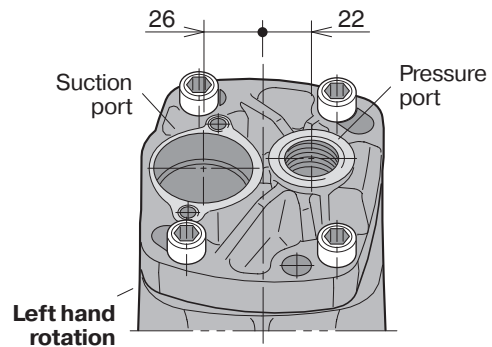
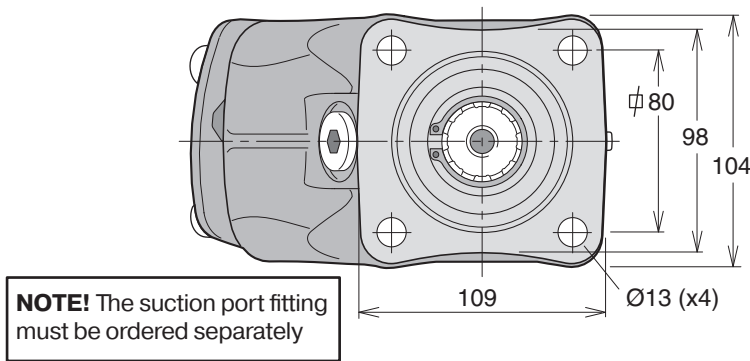


F1-25, -41, -51 and -61



Ordering code

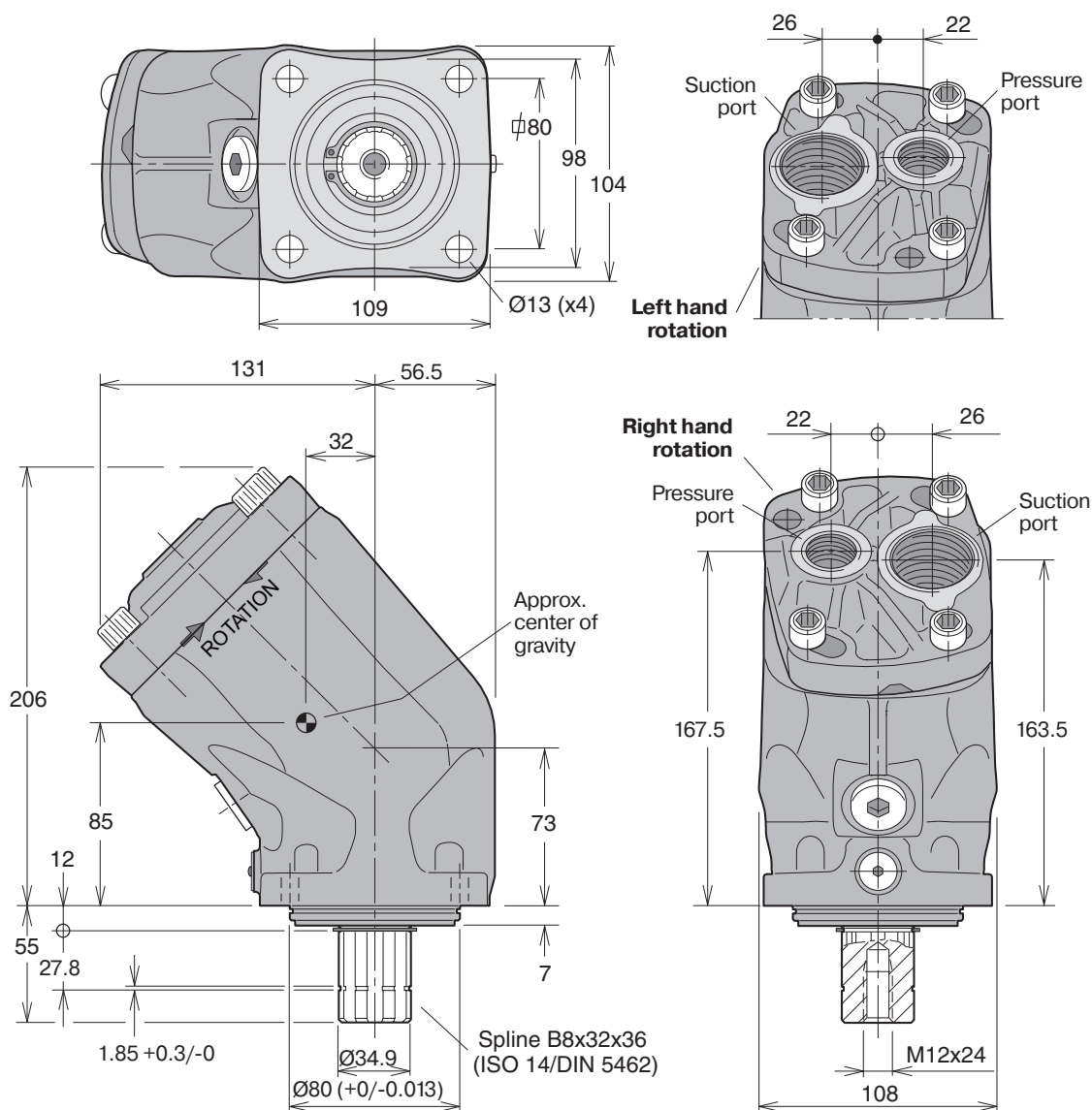
Example: **F1-81-R**
 F1 frame size **25, 41, 51, 61, 81 or 101**
 Shaft rotation **R** Right hand
L Left hand

NOTE: The pump **does not** include a suction fitting; it must be ordered separately. See page 57ff.

Standard versions

Designation	Ordering no.
F1-25-R	378 1024
F1-25-L	378 1025
F1-41-R	378 1040
F1-41-L	378 1041
F1-51-R	378 1050
F1-51-L	378 1051
F1-61-R	378 1060
F1-61-L	378 1061

F1-25, -41, -51 and -61 with BSP port treads



Port size (all ports are BSP)

F1 frame size	Pressure port ¹⁾	Suction port
-25	3/4"	1"
-41	3/4"	1"
-51	3/4"	1"
-61	3/4"	1"

Ordering code

Example: **F1-61-RB**
 F1 frame size ————— 25, 41, 51, 61, 81 or 101
 Shaft rotation/port threads —————
RB Right hand/BSP
LB Left hand/BSP

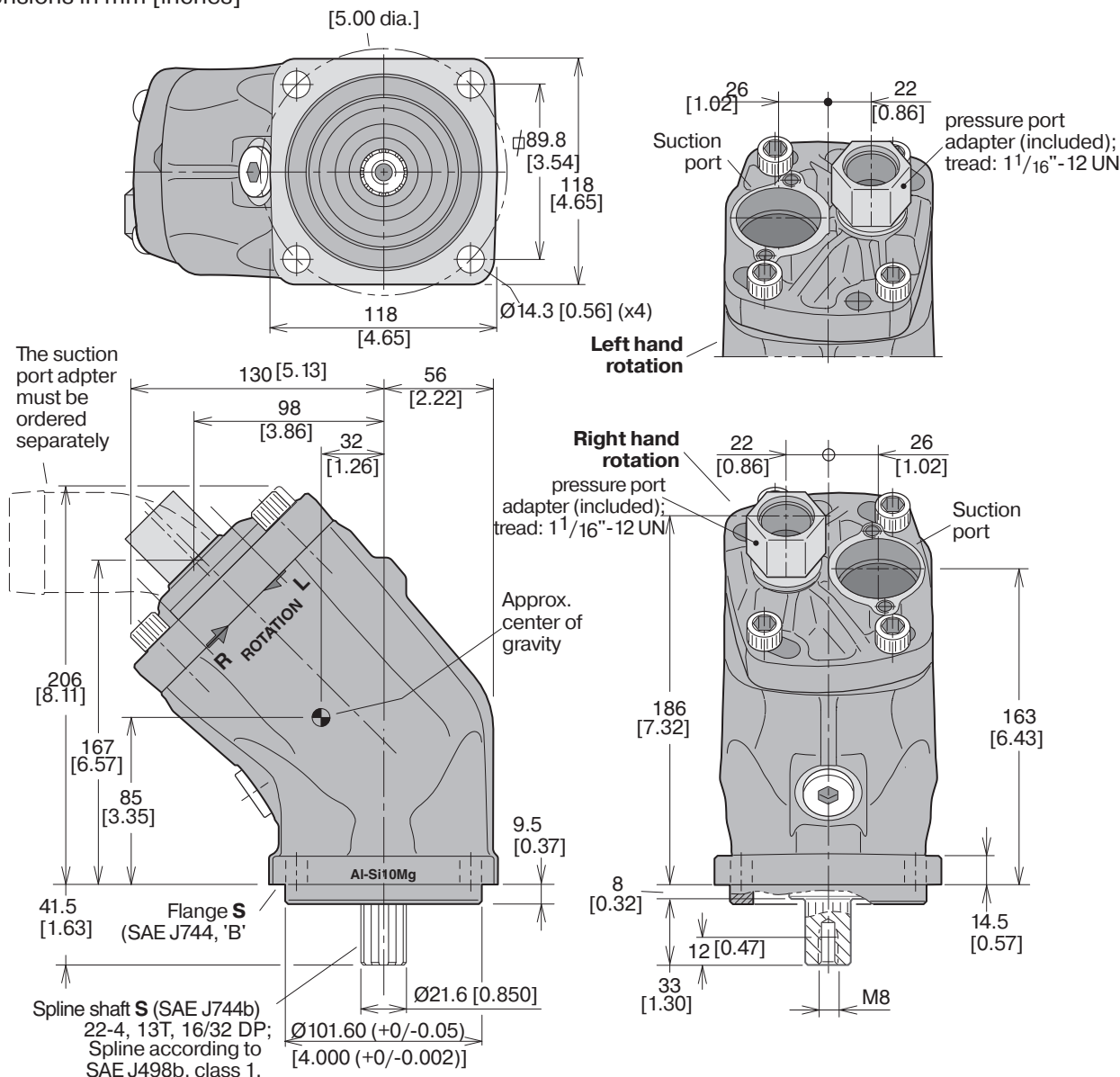
Standard versions

Designation	Ordering no.
F1-25-RB	378 4024
F1-25-LB	378 4025
F1-41-RB	378 4040
F1-41-LB	378 4041
F1-51-RB	378 4050
F1-51-LB	378 4051
F1-61-RB	378 4060
F1-61-LB	378 4061

NOTE: The pump **does not** include a suction fitting; it must be ordered separately. See page 57ff.

Installation dimensions, F1-25, -41, -51 and -61 (SAE)

Dimensions in mm [inches]



Ordering code (SAE)

Example: **F1 - 61 - RU - SV - S**

F1 frame size
25, 41, 51 or 61

Shaft rotation
R Right hand
L Left hand

Main port
U SAE O-ring, UN threads

Shaft end
S SAE spline "B" spline

Shaft seal
V FPM

Mounting flange
S SAE "B"

NOTE: The pump **does not** include a suction fitting; it must be ordered separately. See page 57ff.

Port size

F1 frame size	Pressure port ¹⁾
-25	1 1/16" - 12 UN
-41	1 1/16" - 12 UN
-51	1 1/16" - 12 UN
-61	1 1/16" - 12 UN

¹⁾ BSP-to-SAE adapter (included)

Standard SAE versions

Designation	Ordering no.
F1-25-RU	378 1424
F1-25-LU	378 1425
F1-41-RU	378 1440
F1-41-LU	378 1441
F1-51-RU	378 1450
F1-51-LU	378 1451
F1-61-RU	378 1460
F1-61-LU	378 1461